



Maxwell Cot

Australian Item #'s: 7629 - 0



*Shown with mattress (sold separately)

Made in Vietnam for:
Incy Interiors Pty Ltd
81A Colville Street, Windradyne, NSW, 2795
AUSTRALIA
(02) 9412 3884
www.incyinteriors.com.au

Designed and Distributed in Australia by:
Incy Interiors Pty Ltd
81A Colville Street, Windradyne, NSW, 2795
AUSTRALIA
(02) 9412 3884
www.incyinteriors.com.au

AUSTRALIAN STANDARDS COMPLIANCE



WARNING

**WARNING: TO PREVENT FALLS THE MATTRESS BASE OF THIS COT SHOULD BE ADJUSTED TO THE LOWEST POSITION BEFORE THE CHILD CAN SIT UP
RECOMMENDED MATTRESS SIZE: 700 MM WIDE X 1310 MM LONG X NO MORE THAN 120 MM THICK**

- Failure to follow these warnings and the assembly instructions could result in serious injury or death.
- Before each usage or assembly, inspect cot for damaged hardware, Loose joints, missing parts or sharp edges. Do not use cot if any parts are missing or broken. Ask your dealer or contact Incy Interiors Pty Ltd for replacement parts and instructional literature if needed. Do not substitute parts.
- When child is able to climb out or reach the height of 90 cm, the cot shall no longer be used.
- Do not place cot near window where cords from blinds or drapes may strangle the child.
- If refinishing, use a non-toxic finish specified for children's products.
- Do not use a water mattress with this cot
- Upon completion of assembly, be sure all screws and bolts have been tightened securely.
- A periodic check should be made of all screws and bolts and retightened if necessary.
- Never use plastic shipping bags or other plastic film as mattress covers because they can cause suffocation.
- Do not drag cot.
- After cot has been completely assembled, store instruction sheet in the envelope provided on the base of the cot.
- Under no circumstances should this warning be removed from mattress support!



WARNING

WARNING: TO PREVENT FALLS, THE MAXIMUM MATTRESS THICKNESS SHOULD NOT EXCEED 120 MM.

IMPORTANT SAFETY INFORMATION FOR TODDLER & DAY BEDS



WARNING

WARNING: ENTRAPMENT / STRANGULATION HAZARD

Infants have died in toddler beds from entrapment and strangulation.

Failure to follow these warnings and the assembly instructions could result in serious injury or death.

NEVER use bed with children under 15 months.

NEVER place bed near windows where cords from blinds or drapes may strangle a child.

- The mattress intended for use on the bed shall be a full-size cot mattress having minimum dimensions of 1310mm in length, 700mm in width and 120mm in thickness, not exceeding 152mm in thickness.
- If guardrails are used as the mattress containment means, guardrail(s) provided must be used to avoid the formation of a gap between the mattress and the bed that could cause an entrapment.
- DO NOT place bed near windows where cords from blinds or drapes may strangle a child.
- DO NOT place items with a string, cord, or ribbon around a child's neck, such as hood strings or pacifier cords.
- DO NOT suspend strings over a toddler bed for any pacifier cords.
- A child using the toddler or day bed shall be at least 15 months of age and shall not weigh more than 22kgs.

Care & Maintenance

- When cleaning your cot, use a non-toxic, non-abrasive cleaner. Mix a solution of water with a small amount of a mild detergent. Apply to cot surface with a damp cloth.
- When moving the cot without castors assembled, always lift the unit. Do not push or drag it to avoid damaging the base.
- It is important that the humidity levels in the room be controlled from extremes of too much humidity or too little. The cot should not be placed directly next to air-conditioning, outlets, fire places, radiators, space heaters, humidifiers, or dehumidifiers. Exposure to extreme variations of temperature and humidity can damage wood products.
- Keep the cot out of direct sunlight. UV rays may fade colours and in some cases darken them. It can cause crazing or hair line cracks in the finish. White finishes will darken naturally over time and exposure to direct sunlight will hasten this natural process along with some wood darkening; this is not considered to be a quality defect.
- If you need to put your cot in storage for any period of time do not store it in a damp or hot environment. Allow air flow around the furniture and do not stack anything on it.

Check List

- Always check the cot is free from damage before use. Do not use product if any damage is present.
- Regularly check that all assembly fittings are always tightened properly and retighten as necessary.

After Sales Customer Service

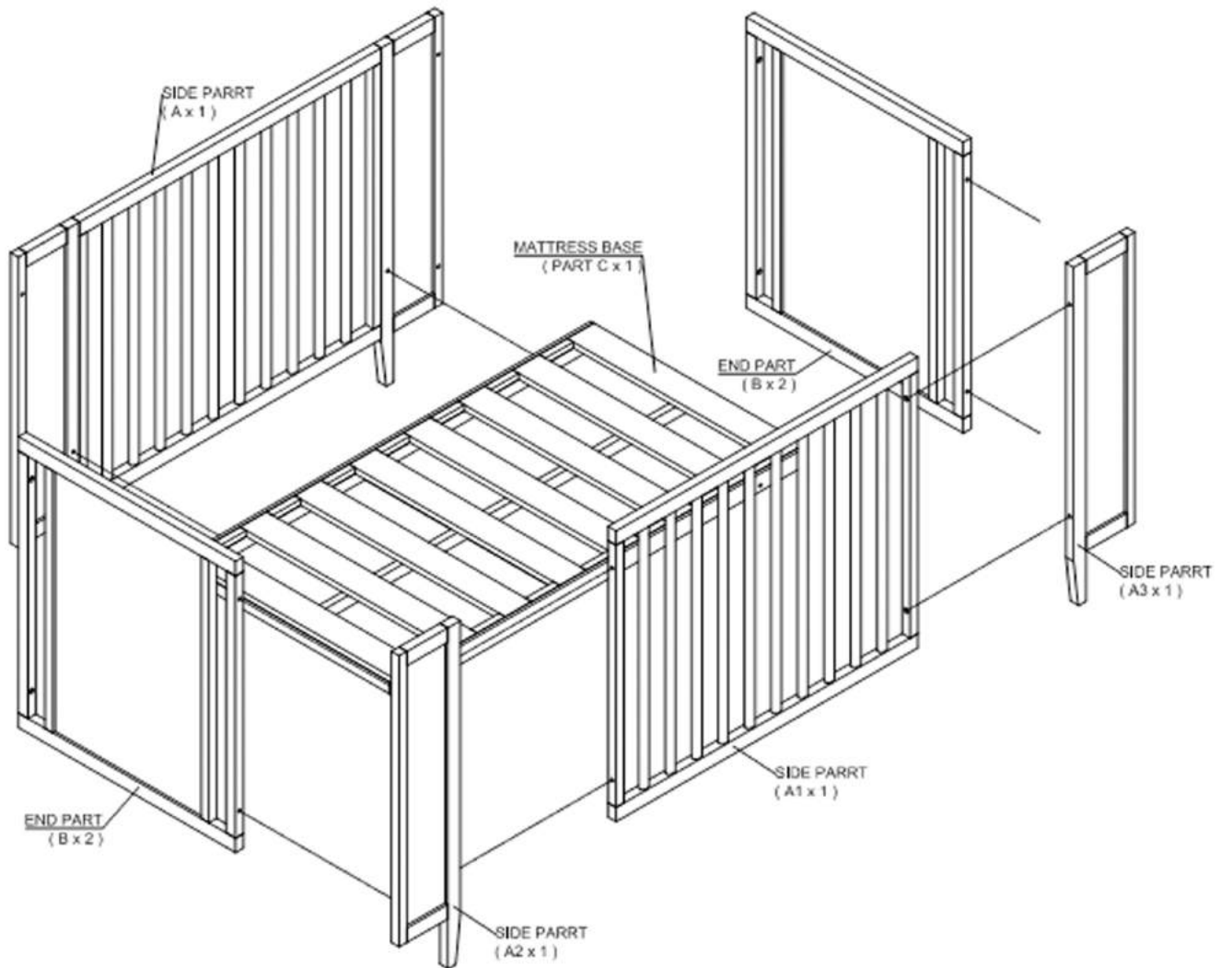
When you receive your Incy Interiors product, if you need any assistance or if you have any comments with respect to any aspect of the goods, please contact your local distributor via email.

If you are missing parts you can order parts by emailing us at customerservice@incy.com.au or call (02) 9412 3884. Please include the product name, colour, and a brief description of the part you are missing.

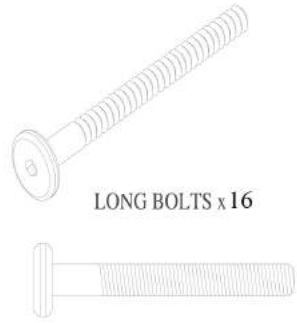
You can also visit our website at www.incyinteriors.com.au for latest product information.

Incy Interiors Pty Ltd
81A Colville Street, Windradyne, NSW, 2795
AUSTRALIA
(02) 9412 3884
www.incyinteriors.com.au

Parts list



Hardware list



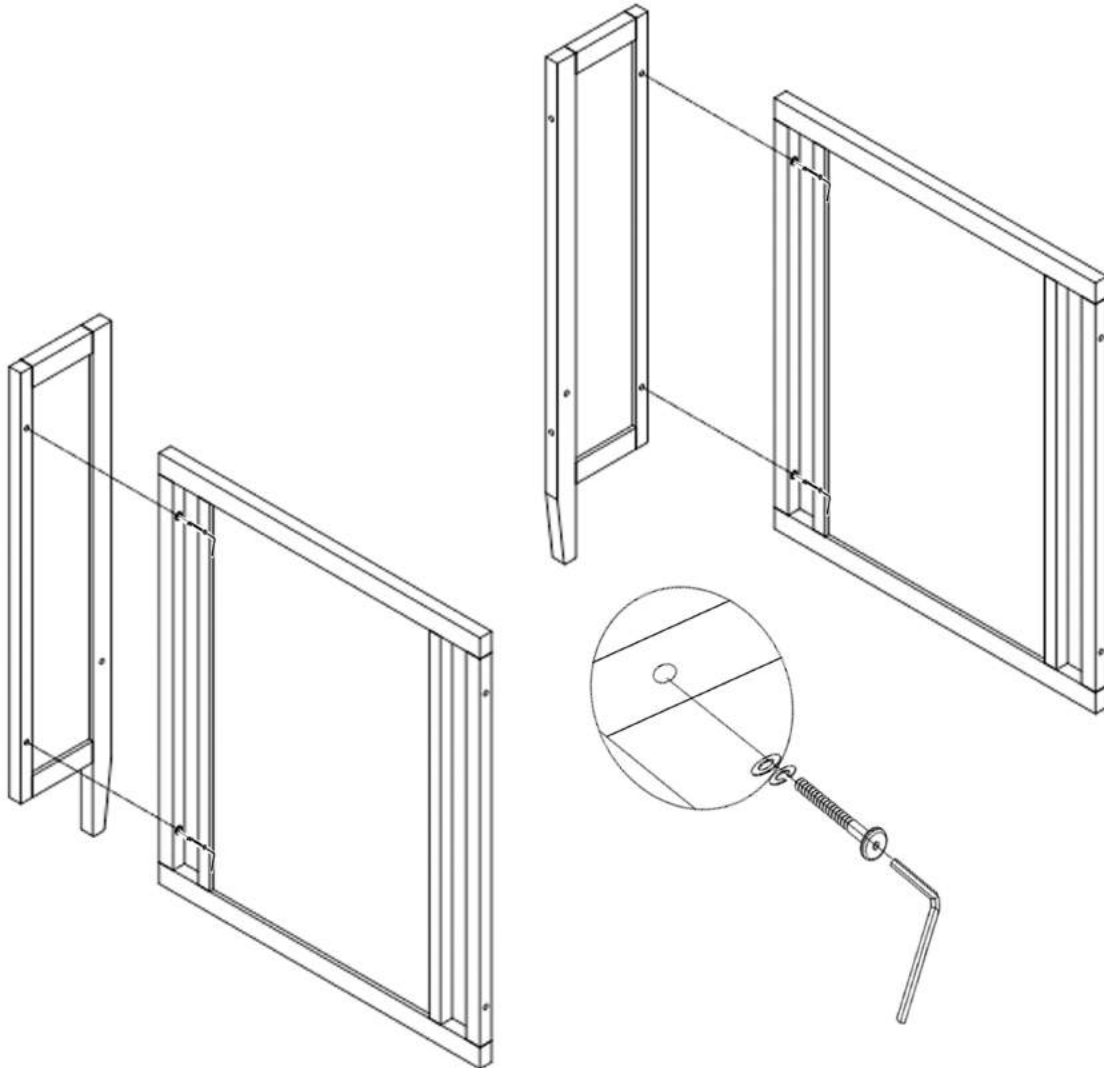
Assembly Instructions – Cot

Tools Necessary: Allen Key (included)

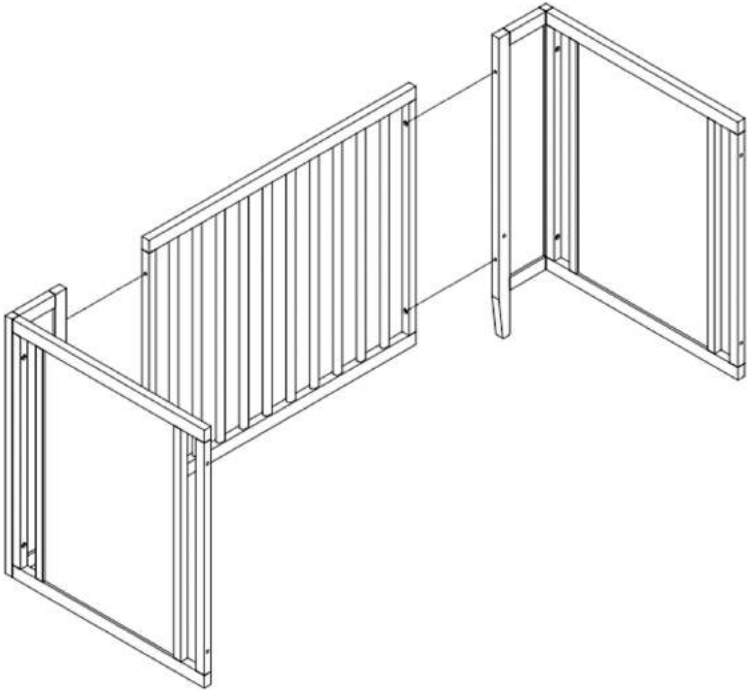
NOTE: It may be easier to assemble product with two people.

NOTE: When inserting bolts, turn clockwise until tight. Then loosen off a turn. After cot is completely assembled, return to each bolt and tighten.

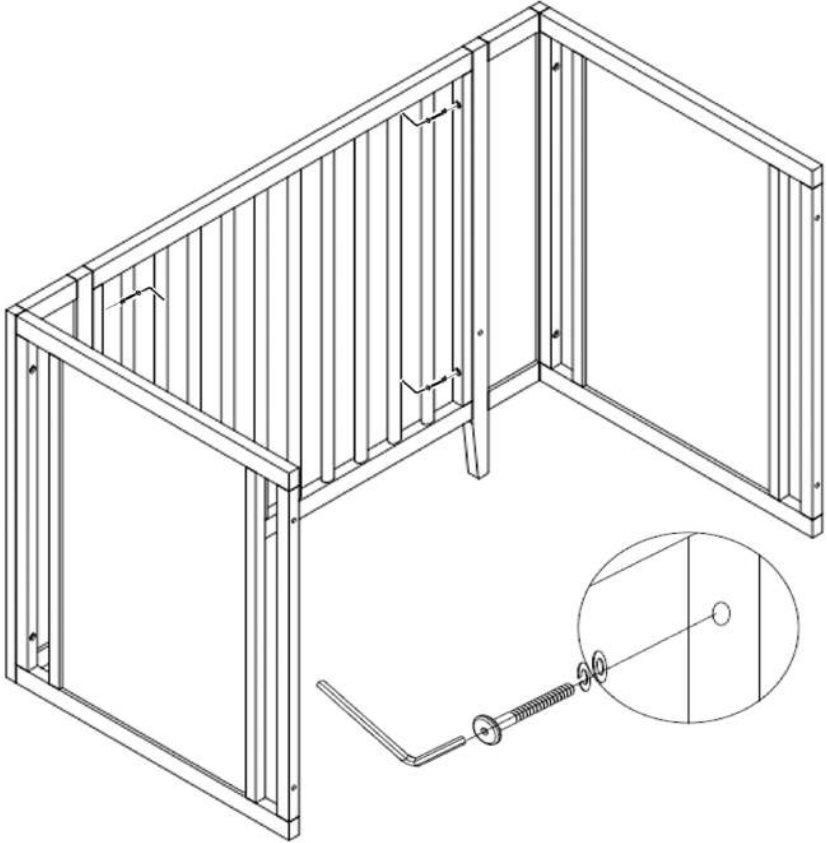
1. Stand both headboards (ends) of the cot (part B) upright, and screw in side (part A2+A3) with 4 x bolts, 4 x spring washers and 4 x washers using the allen key provided.



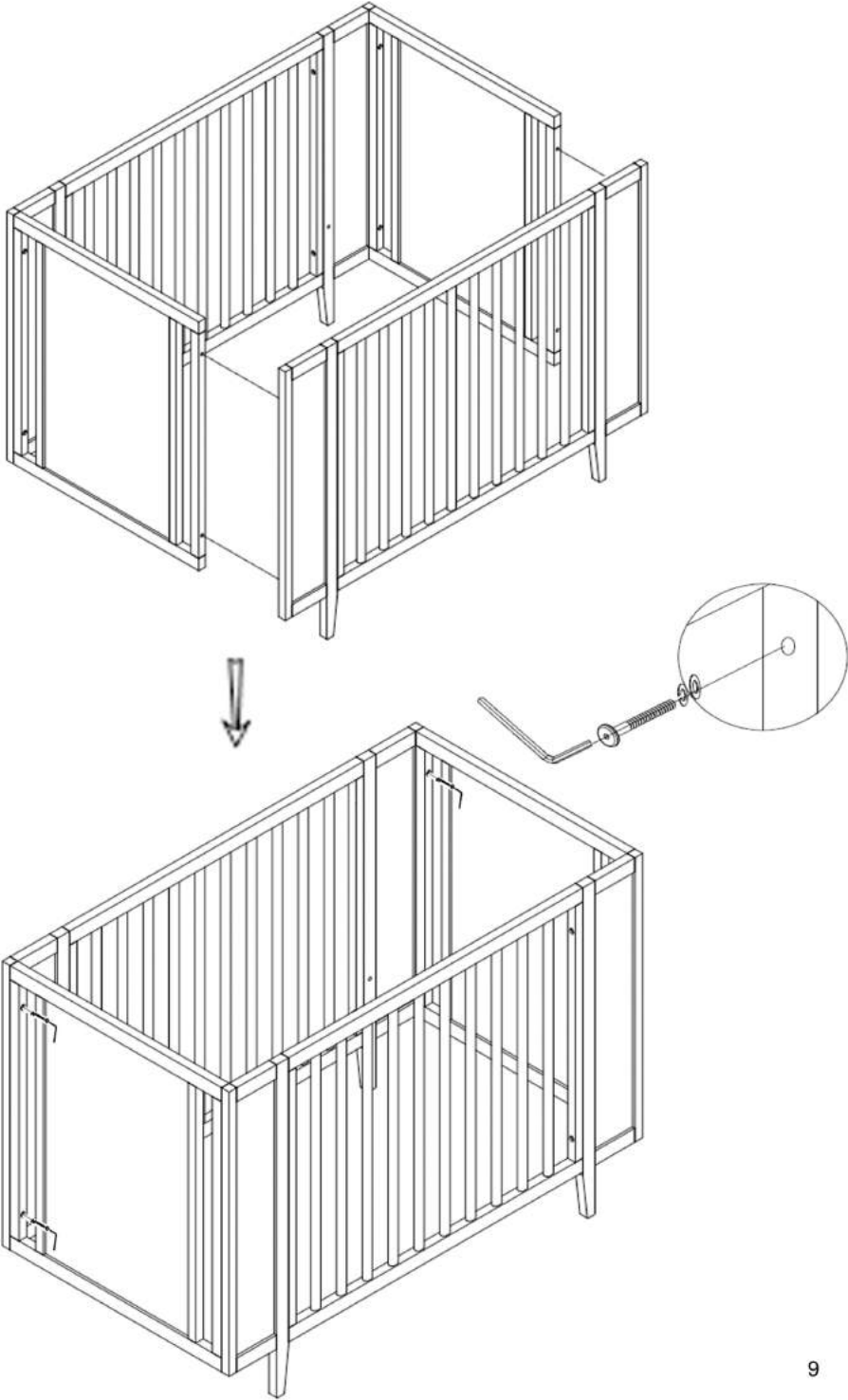
2. Once side is attached, slide in the side rail (part A3)



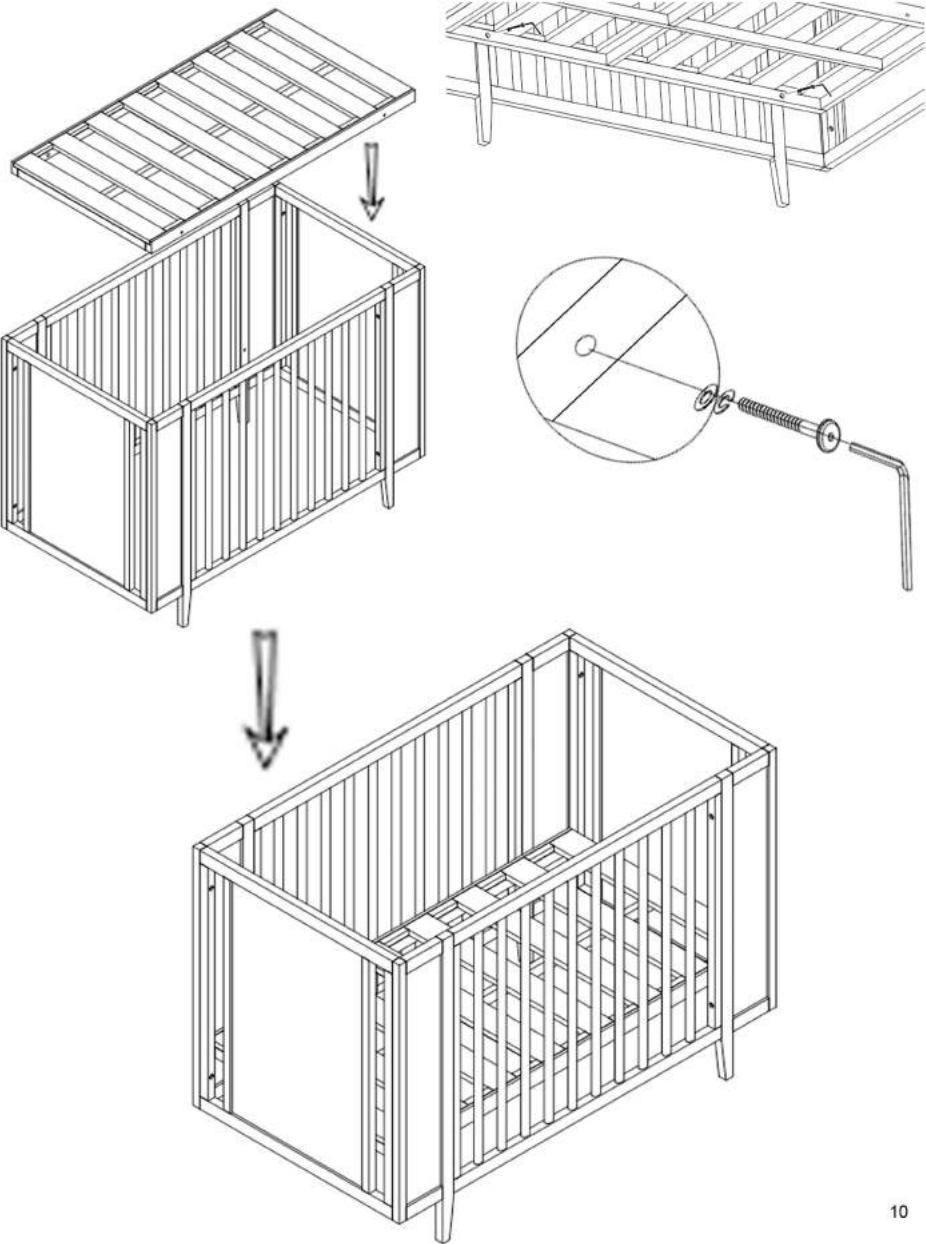
3. Secure the side rail with 2x bolts, 2 x spring washers and 2 x washers with the allen key



4. Secure the remaining side rail with 4 x bolts, 4 x spring washers and 4 x washers with allen key provided.



5. Ensure the warning labels are facing upward and align the mattress base (Part C) with holes for the required height.



10

6. Ensure all bolts are tightened before use.

Assembly Instructions – Toddler Bed

Tools Necessary: Allen Key (included)

NOTE: It may be easier to assemble product with two people.

NOTE: When inserting bolts, turn clockwise until tight. Then loosen off a turn. After toddler bed is completely assembled, return to each bolt and tighten.

1. Ensure mattress base (part C) is on lower level (refer to cot instructions above)
2. Slide side rail out by lifting it up.

