

customer service

if there are any missing parts or you have any questions regarding assembly, please call our customer service line on 1300 94 20 50

care and cleaning

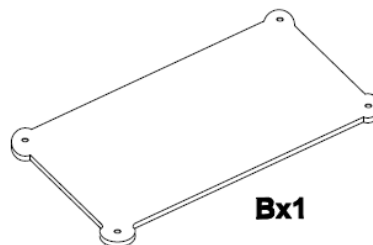
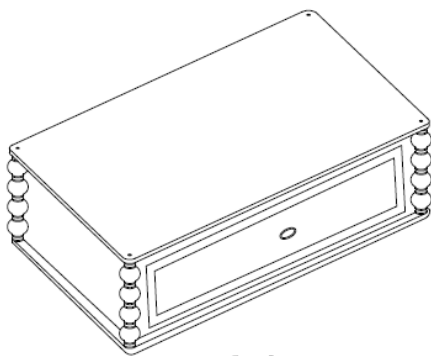
do not scratch or chip the finish. do not use abrasive chemicals for cleaning. clean with mild soap on a soft rag. rinse and dry thoroughly

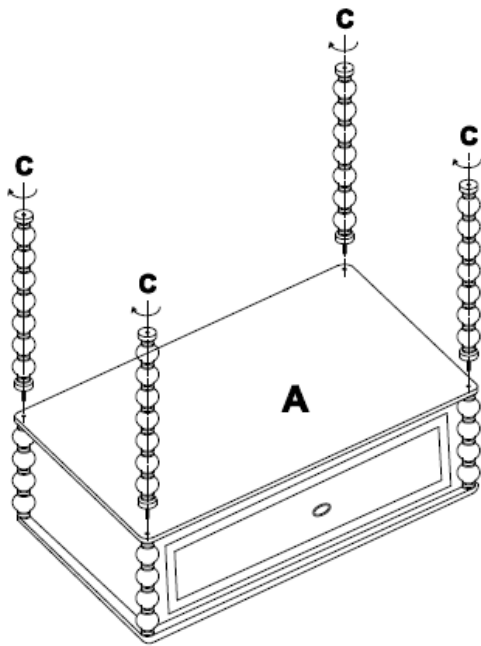
important safety information

- do not use if parts are missing and do not substitute parts, contact incy interiors for replacement parts

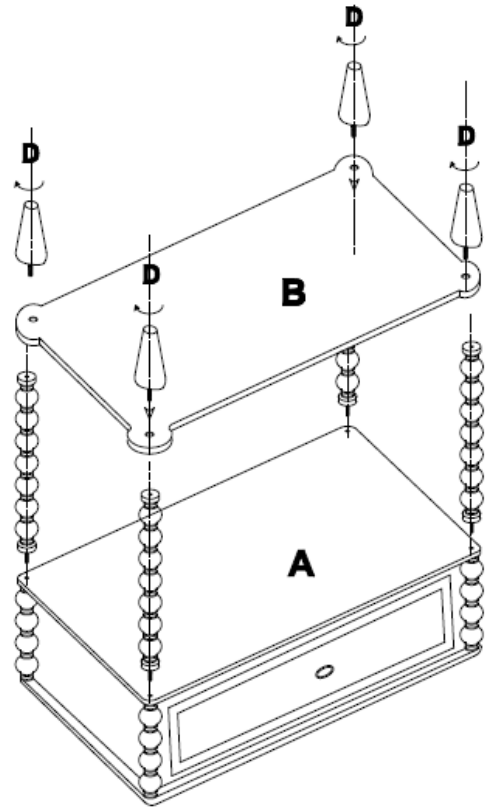
assembly instructions

it is advised to have two adults to complete the assembly of the bookcase





STEP 1



STEP 2

1. Lay bookcase top (a) on a soft surface (ie carpet/rug)
2. Screw 4 x C spindles (25mm thread) into bookcase top (a)
3. Attach bookcase shelf (B) to C1 spindle
4. Screw in 4 x feet (d)
5. Tip the bookcase to the upright position

manufacturer details

incy interiors

2a Piper St

bathurst nsw 2796

1300 94 20 50